



**FREE
Take
One!**

Window Valance*

Light and airy, quick and easy- you'll want to make these valances for every room in your home.

You will need:

- 3/16" white foamboard
- 1/2 yard damask fabric
- 1 1/2 yards of 60" wide sheer fabric in a coordinating color
- FoamWerks V-Groove Cutter (WC-2001)
- FoamWerks Straight Cutter (WC-6001)
- FoamWerks Hole Drill (WD-8010)
- FoamWerks Adjustable Fasteners (W-5001 Accessory Kit)
- Tape gun
- Beaded trim
- Spray adhesive
- Heavy duty mounting tape
- Drywall screws

Time	Difficulty
1 hr.	Easy

For even more exciting foamboard projects, read [Foamboard Magic](#) by Eileen L. Hull.

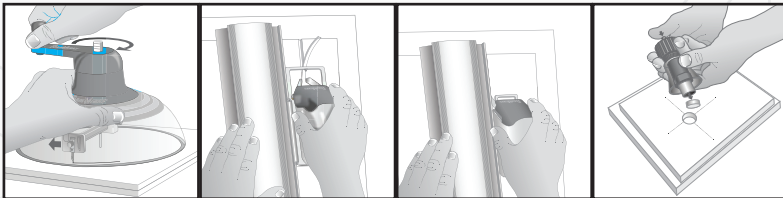
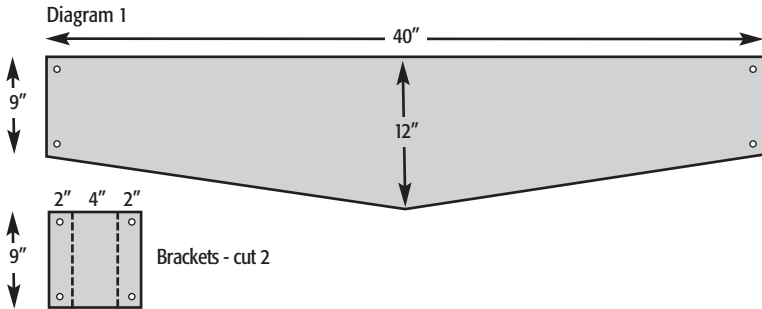
* This project is an excerpt from [Foamboard Magic](#) by Eileen L. Hull. Copyright 2009 Logan Graphic Products, Inc.



INSTRUCTIONS:

1. Cut foamboard as shown in **Diagram 1**. Cut small pieces and add V-grooves where dotted lines indicate on diagram.
2. Using Hole Drill and 0.18" tip, drill 2 small holes on each end of the support pieces, one set to attach brackets to main body of foamboard and the other to attach to wall. Lay support piece on top of valance board and poke holes to mark position. Using the Hole Drill and 0.18" Drill Tip, drill holes in each end of valance as shown.
3. Lay valance board on top of support piece and join with clear adjustable fasteners. Support piece will wrap around to the back of the wall.
4. Cut damask fabric so front of valance is covered with 2" extra on top and bottom. Run the tape gun across the whole top and bottom of board. Pull fabric around from front to back keeping fabric smooth to board. Cut a piece of damask to fit the back of the valance. Cover with spray adhesive and adhere to the back of the board.
5. Cut sheer fabric piece in half going down the middle.
6. Anchor sheer fabric at one end with a tack or pin. Start wrapping sheer fabric over damask and around the valance board, draping and positioning as you go. Tuck end in and start new piece when necessary. Anchor end with another pin or tack. Fluff fabric to your liking.
7. Add beaded trim to bottom of valance. Pin or glue in place (how much of a rush are you in?).
8. Valance may be hung with hook-and-eye tape, mounting tape or screwed into the wall.

*Cut valances in different shapes and wrap with other fabrics or change with the seasons. A fleece plaid would look so cozy in the winter... or denim in a boy's room... or a vintage tablecloth in your dining room. Add accents such as buttons, silk flowers, trim, rickrack, ribbon or old jewelry to personalize.
Finished size: 40" x 12" x 9"*

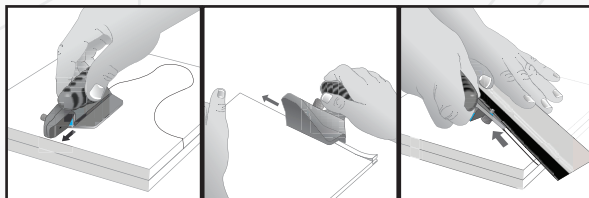


WA-8001 FoamWerks
Circle Cutter

WC-6001 FoamWerks
Straight Cutter

WC-2001 FoamWerks
V-Groove Cutter

WD-8010 FoamWerks
Hole Drill



WB-6020 FoamWerks
Freestyle Cutter

WC-4010 FoamWerks
Rabbet Cutter

WC-6010 FoamWerks
Straight/Bevel Cutter

brought to
you by
LOGAN[®]
GRAPHIC PRODUCTS, INC.
Tools for Art - Tools for Life
Logan Graphic Products, Inc.
1100 Brown Street
Wauconda, IL 60084 USA
1-800-331-6232
www.foamwerks.com